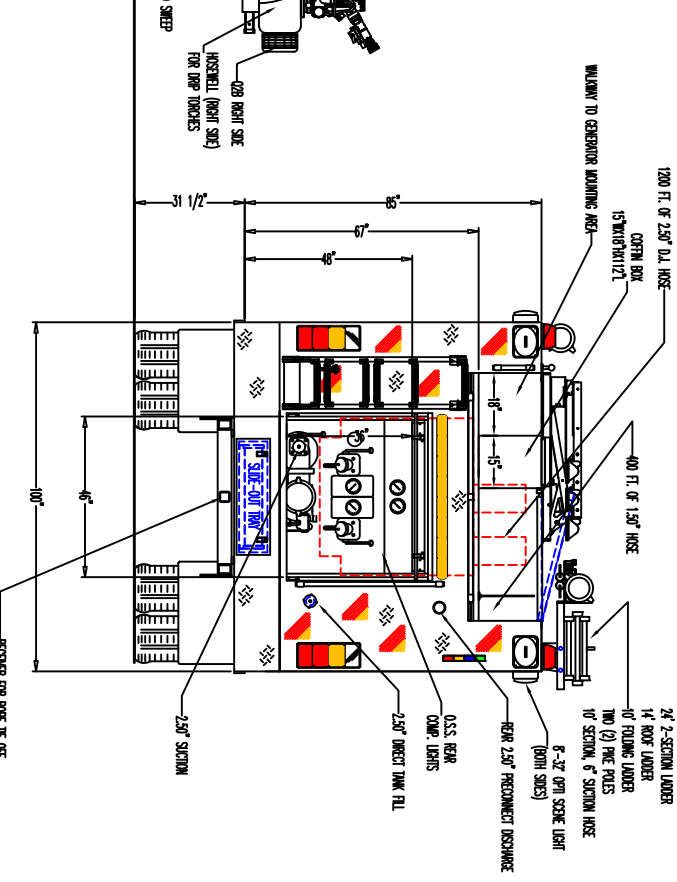
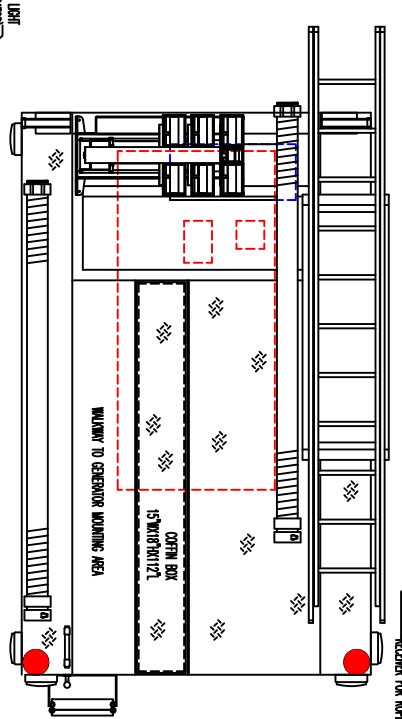
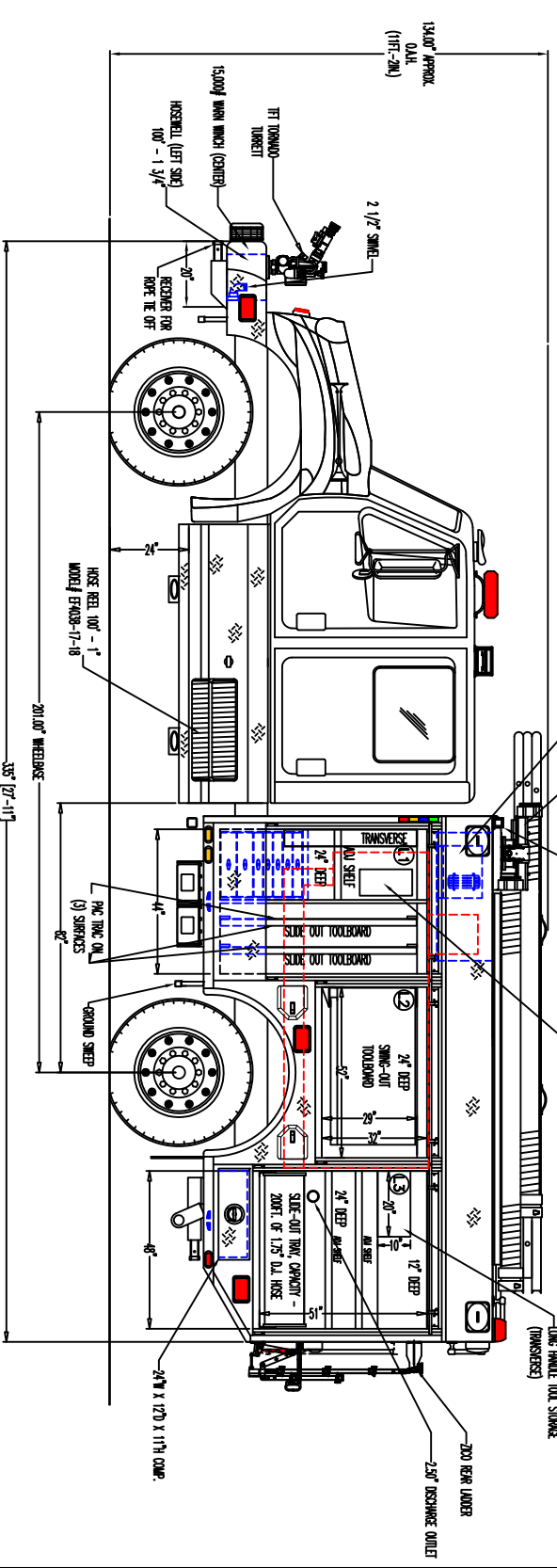



NOTE:  
HEADLIGHTS MAY BE LOCATED  
IN FRONT BUMPER DUE  
TO NEW EMISSIONS





DO NOT SCALE DRAWING.  
ALL DIMENSIONS ARE  
APPROXIMATE AND  
SUBJECT TO ENGINEERING  
CHANGES DUE TO CHASSIS  
VARIATIONS. BLUEPRINT  
DOES NOT NECESSARILY  
SHOW ALL ITEMS IN THE  
SPECIFICATIONS.

# LYONS

## FIRE PROTECTION DISTRICT

<b>MINNESOTA DIV</b>		<b>DWG# P4239-09</b>
REV 6 01-03-12 TML	DRAWN: 01-03-2011	CHASSIS: INTERNATIONAL 7400 DR 441
DRWING BY: DTM		BODY W/L: ALUMINUM
VEHICLE TYPE: THERMADISC		SUPPLEMENTARY W/L: ALUMINUM
FILE # 3327		TANK W/L/C/S: POLY/PAU/200/200/200
SCALE: DIMS		WEIGHT RANGE:
PUMP: ROSS/ROPER 1100 GPM		WEIGHT RANGE: