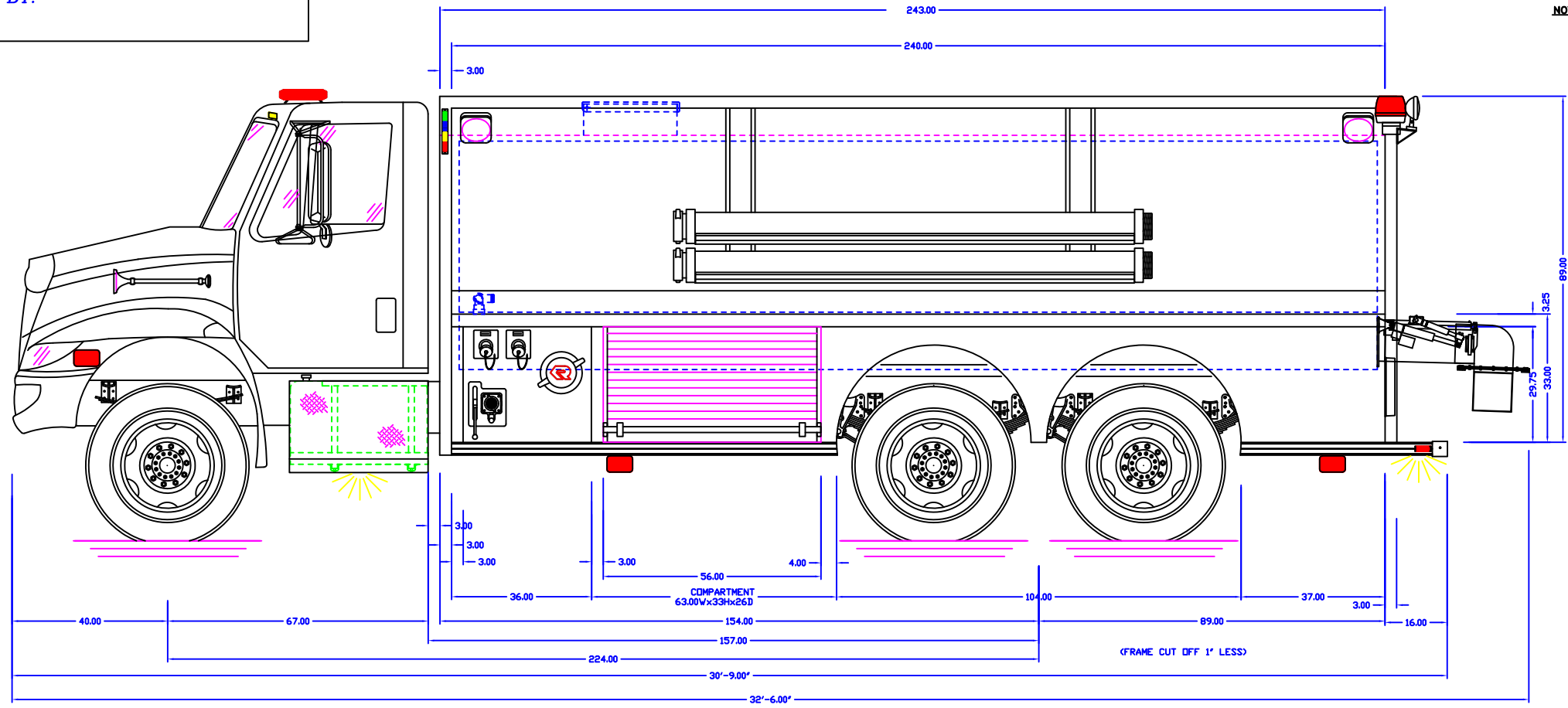
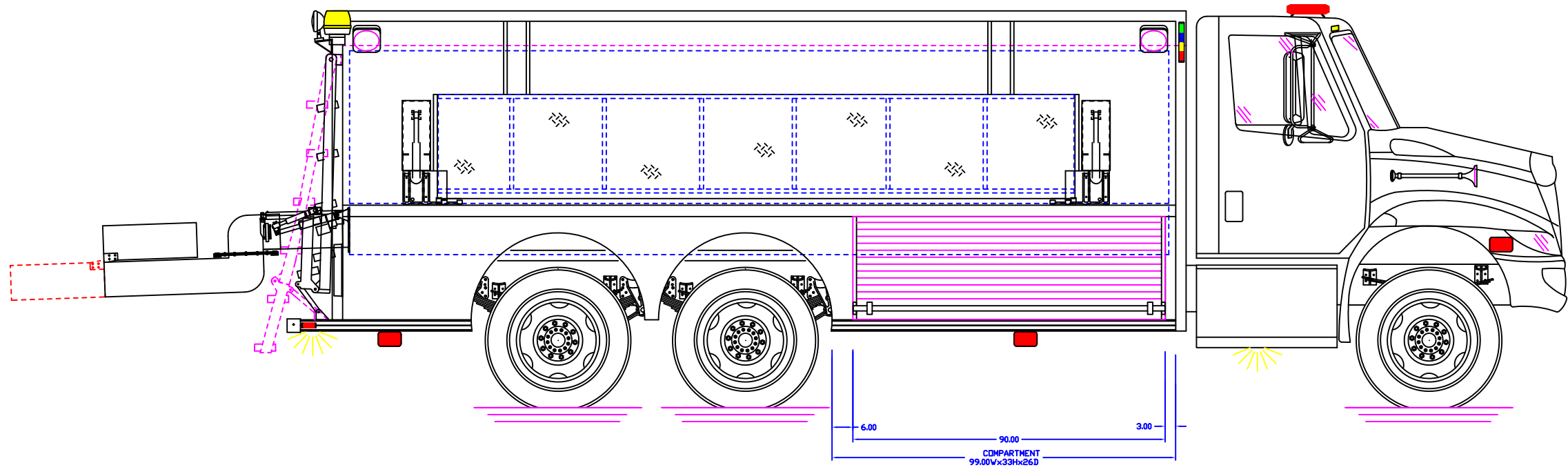
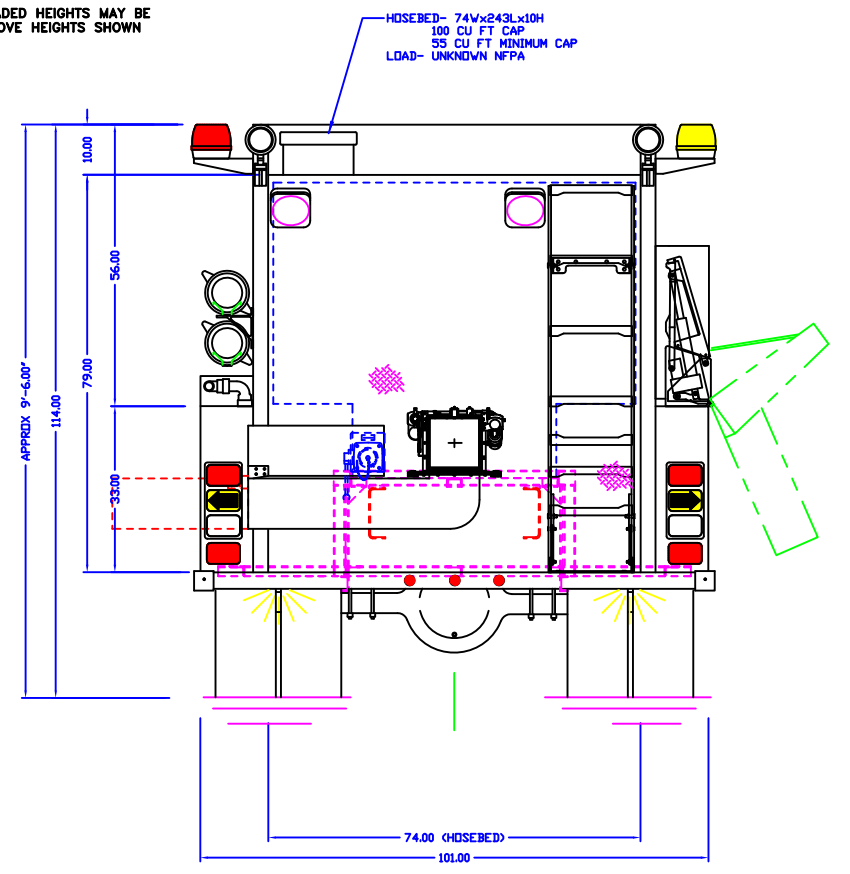


APPROVED BY:



NOTE: UNLOADED HEIGHTS MAY BE 4\"/>



NOTE: TANK CAP- 3500 GAL POLYPROPYLENE  
 PUMP CAP- 500 GPM DARLEY  
 DIMENSIONS SHOWN ARE APPROXIMATE AND ARE SUBJECT TO MINOR DEVIATIONS DURING CONSTRUCTION  
 NOT ALL ITEMS IN SPECS ARE SHOWN ON THIS PRINT  
 SPOT LIGHT- 2 ON REAR  
 COMPARTMENT INTERIORS SPATTER PAINT  
 SIDE PUMP PANEL BLACK THERMOPLASTIC  
 NFPA UPPER LIGHT PACKAGE- VHELEN  
 NFPA LOWER LIGHT PACKAGE- VHELEN  
 ROLL UP DOOR EFFECTIVE OPENING- 3' NARROWER AND 5' SHORTER THAN ACTUAL OPENING IN BODY

NONE	MAXIMUM HEIGHT	07TH VLM	DATE: 12-29-08	07TH
NONE	MAXIMUM LENGTH			REVISOR
101"	BODY WIDTH	CENTRAL		

**rosenbauer**  
 DEBEQUE FPD, CO

0 12" 24" SCALE: REF. ONLY

DRAWING NUMBER: **debeque, co**