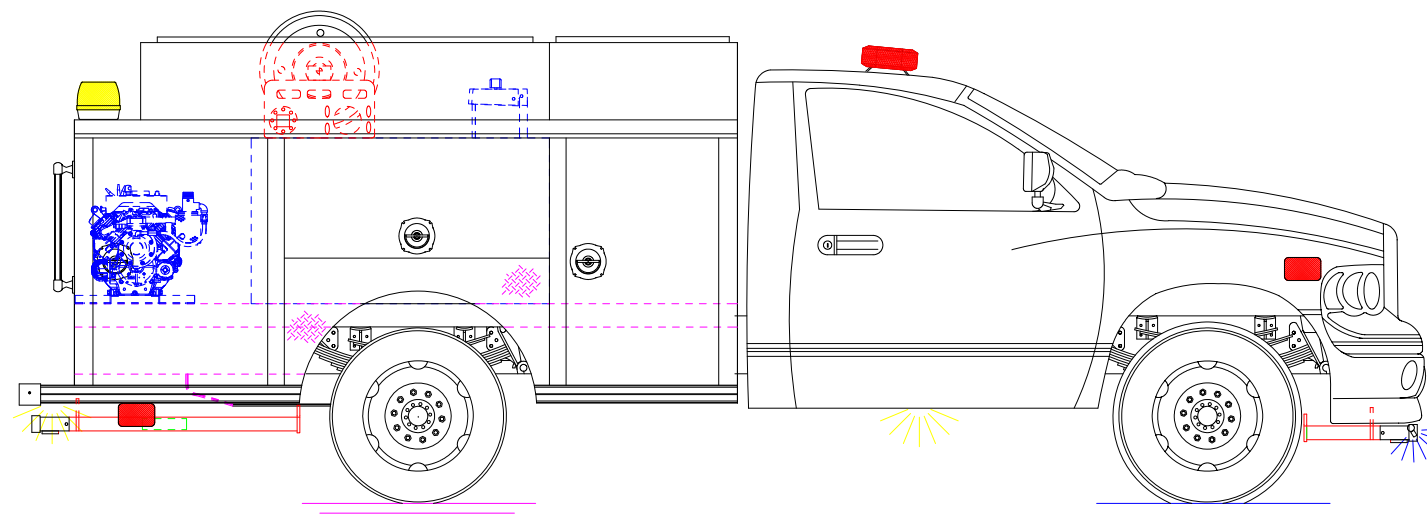
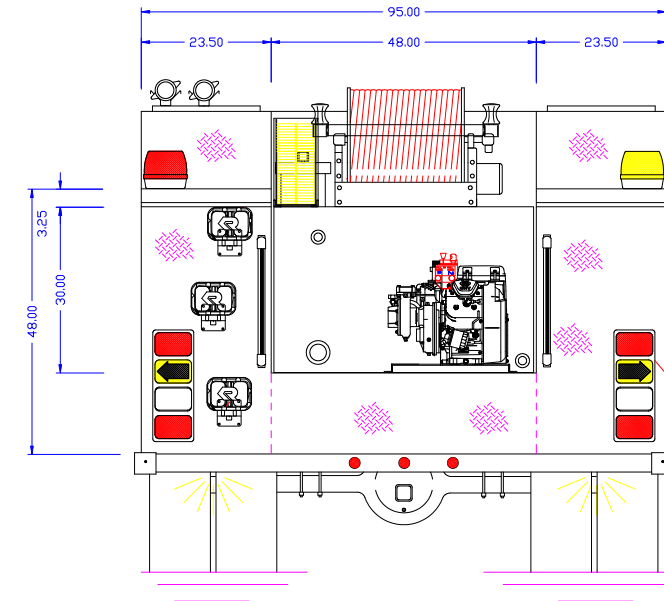
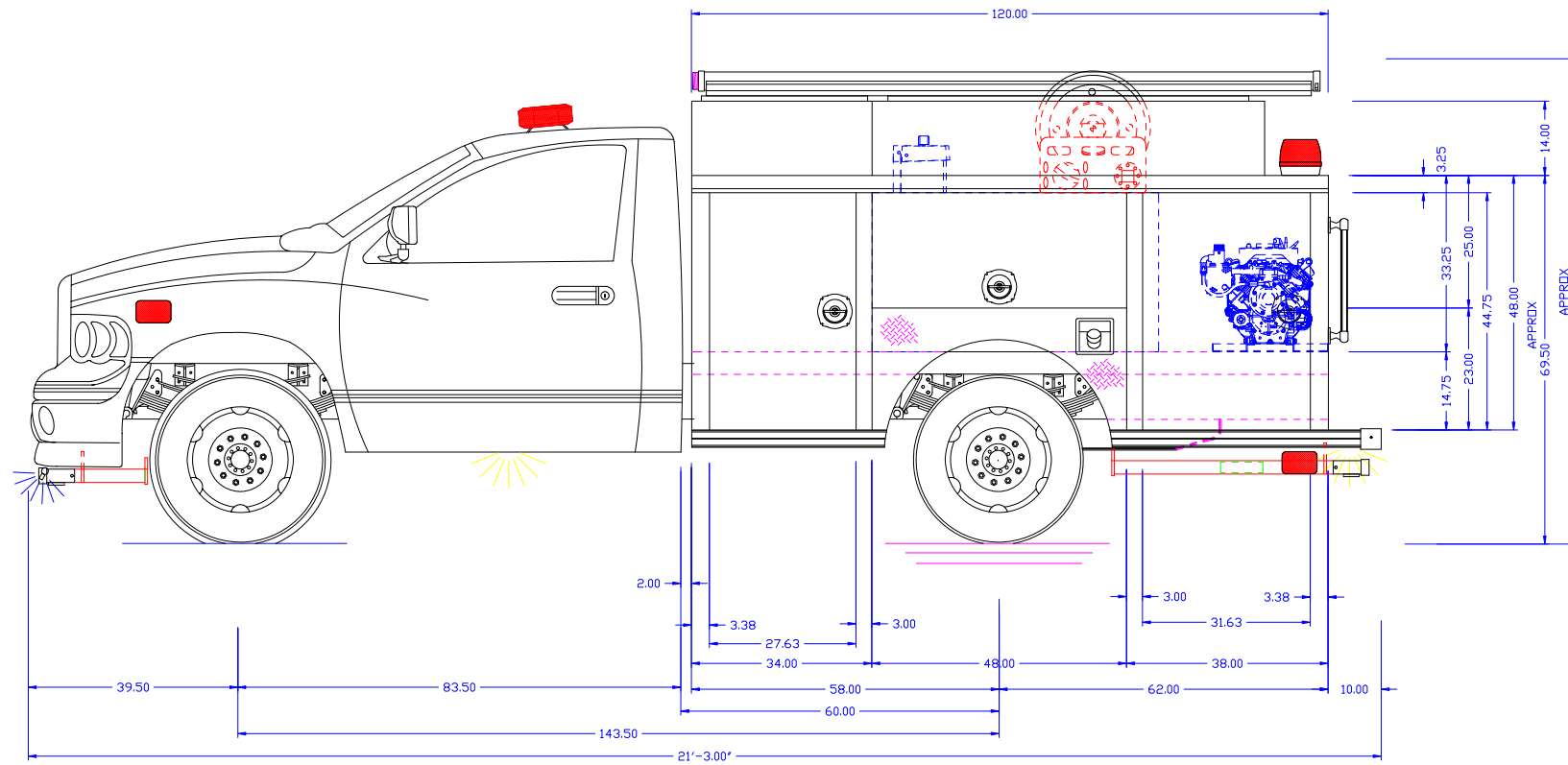
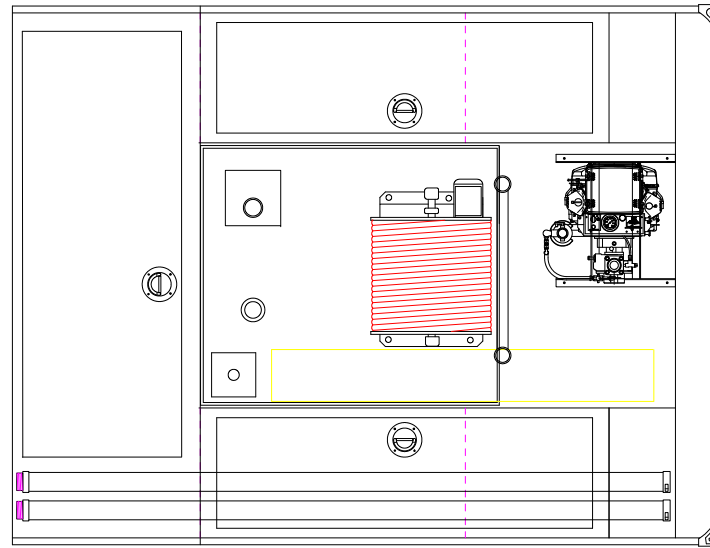


APPROVED BY:

NOTE: UNLOADED HEIGHTS MAY BE 4" ABOVE HEIGHTS SHOWN

NOTE: TANK CAP- 200 GAL POLYPROPYLENE  
 20 GAL CAP FDAM CELL IN MAIN TANK (1x)  
 PUMP - DARLEY  
 DIMENSIONS SHOWN ARE APPROXIMATE AND ARE SUBJECT TO MINOR DEVIATIONS DURING CONSTRUCTION  
 NOT ALL ITEMS IN SPECS ARE SHOWN ON THIS PRINT  
 COMPARTMENT INTERIORS LINER MATERIAL  
 NFPA UPPER LIGHT PACKAGE- WHELEN  
 NFPA LOWER LIGHT PACKAGE- WHELEN



OK FOR PRODUCTION  
 INITIALS: JW  
 JOB NUMBER: 3628  
 DATE: 4-15-09

MAIN FILE: \_\_\_\_\_  
 DEPT: \_\_\_\_\_  
 DEALER: \_\_\_\_\_

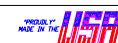
PRODUCTION APPROVED

NONE	MAXIMUM HEIGHT	DFTM MMA DATE: 04-14-09	DFTM REVISED
NONE	MAXIMUM LENGTH	MINI PUMPER	
95"	BODY WIDTH		



DEBEQUE FIRE DEPT

0 12" 24" SCALE: REF. ONLY



DRAWING NUMBER  
 debeque co