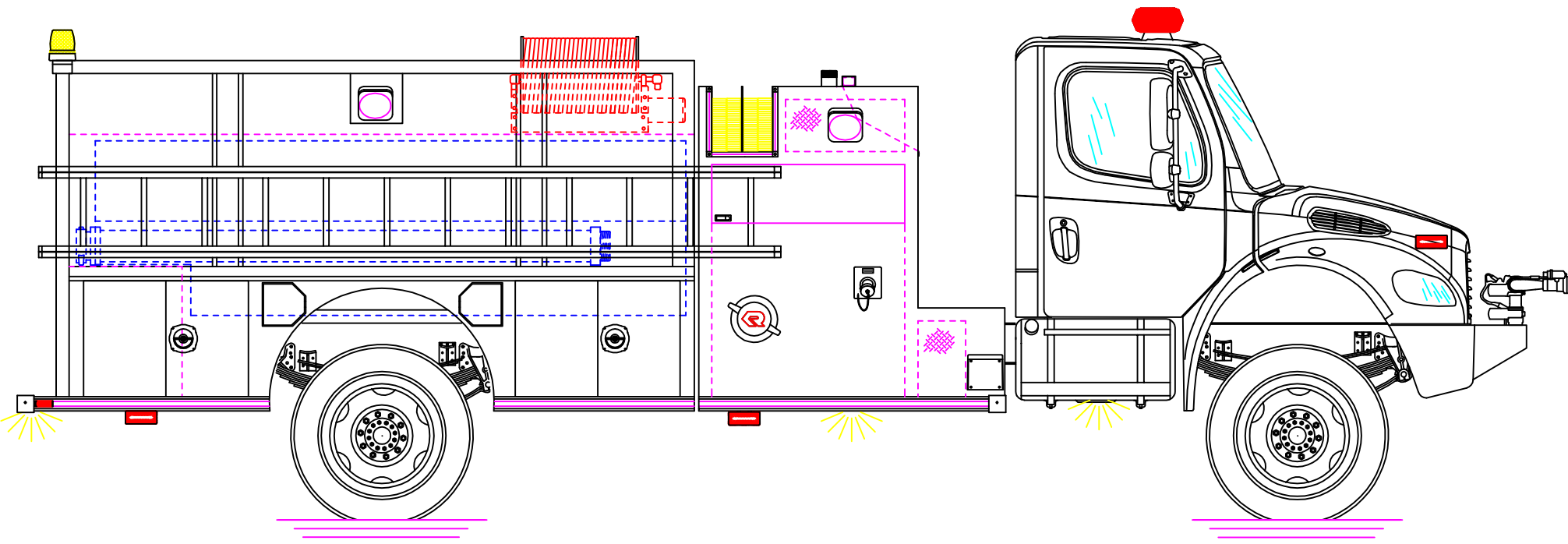
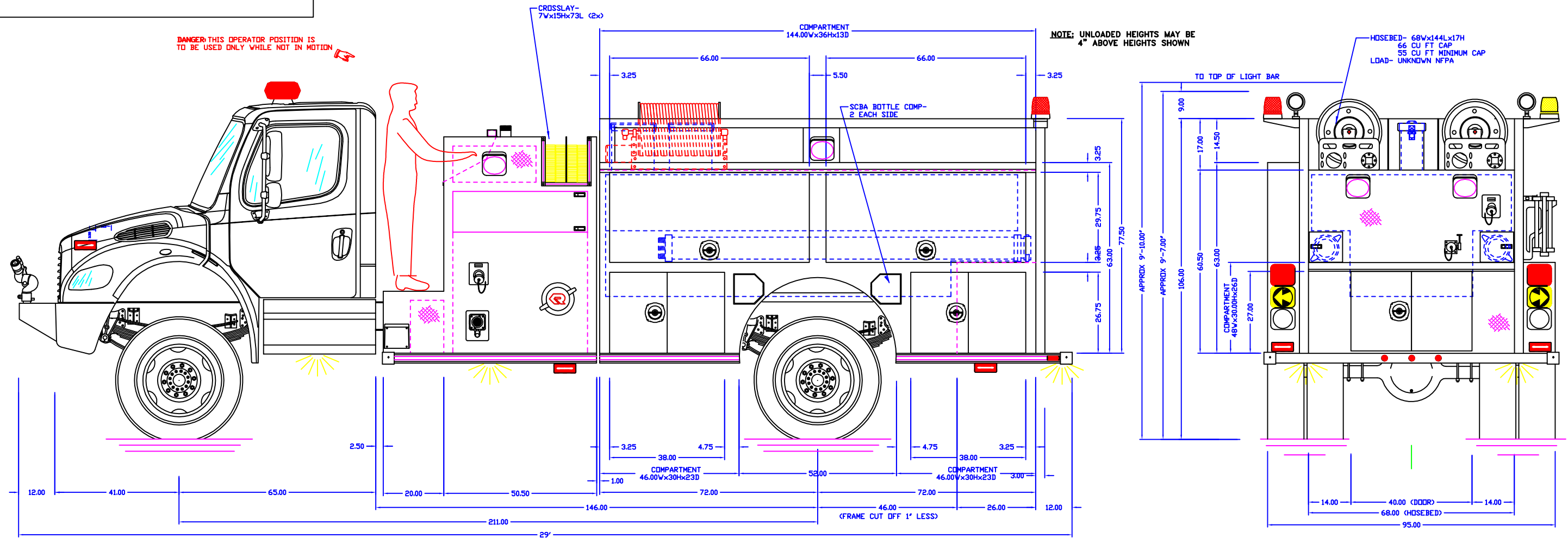


APPROVED BY:

DANGER: THIS OPERATOR POSITION IS TO BE USED ONLY WHILE NOT IN MOTION

NOTE: UNLOADED HEIGHTS MAY BE 4" ABOVE HEIGHTS SHOWN

HOSEBED- 68Wx144Lx17H
66 CU FT CAP
55 CU FT MINIMUM CAP
LOAD- UNKNOWN NFPA



NOTE: TANK CAP- 1000 GAL POLYPROPYLENE
20 GAL CAP FOAM CELL IN MAIN TANK (1x)
PUMP CAP- 750 GPM ROSENBAUER
DIMENSIONS SHOWN ARE APPROXIMATE
AND ARE SUBJECT TO MINOR DEVIATIONS
DURING CONSTRUCTION
NOT ALL ITEMS IN SPECS ARE SHOWN ON
THIS PRINT
SPOT LIGHT- 2 ON REAR
COMPARTMENT INTERIORS SPATTER PAINT
TOP AND SIDE PUMP PANELS BLACK THERMOPLASTIC
NFPA UPPER LIGHT PACKAGE- WELDDN
NFPA LOWER LIGHT PACKAGE- WELDDN
REAR INTERMEDIATE STEP TO BE BOLT ON

NONE	MAXIMUM HEIGHT	IFTH W/LH DATE: 04-17-06	IFTH BVZ REVISED 5/11/06	IFTH BVZ REVISED 11/7/06
NONE	MAXIMUM LENGTH	CENTRAL		
95"	BODY WIDTH			



STRATTON V.F.D., CO