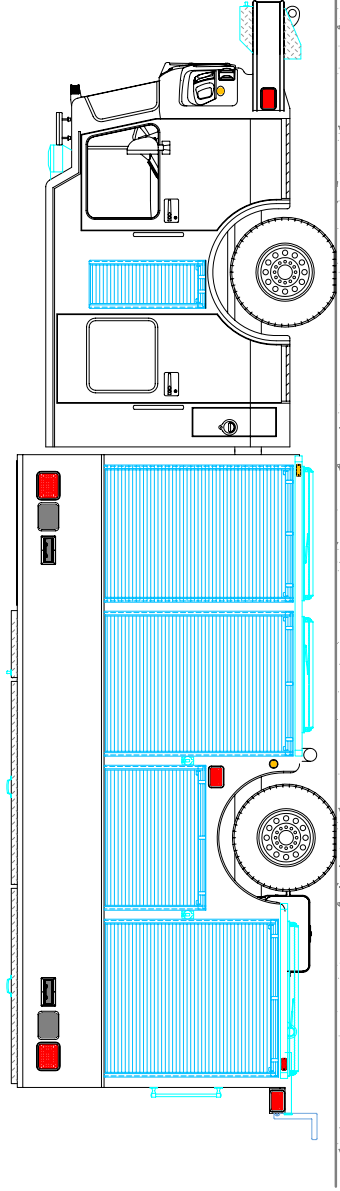
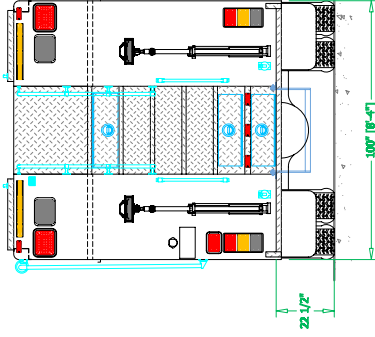
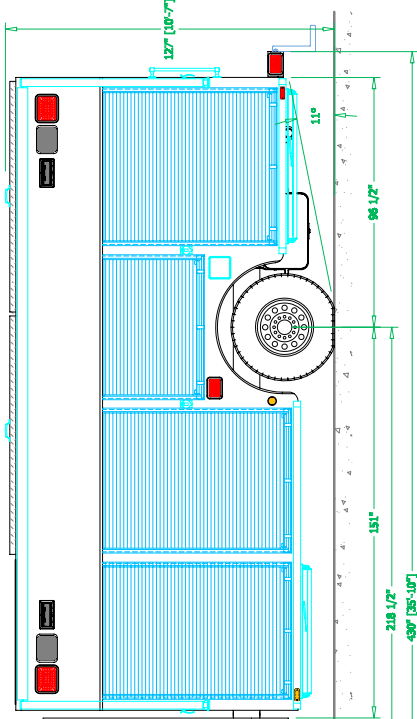
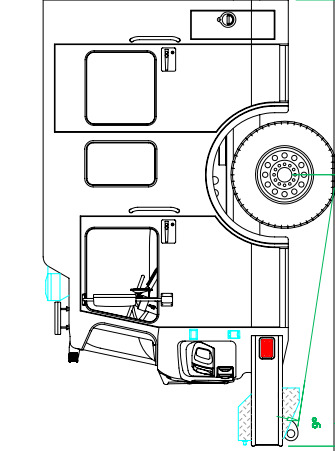
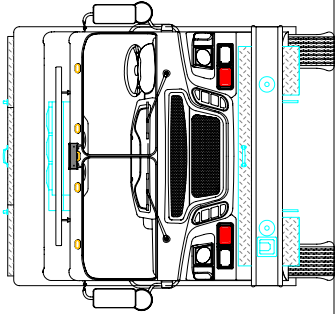
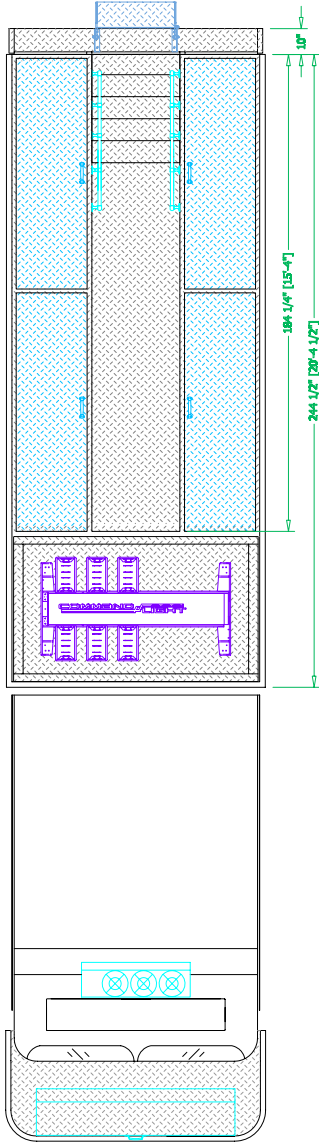


BID DRAWING

REV	DESCRIPTION	DATE	BY

NOTE 1: Do not make drawing. The drawing is for general truck configuration only. All items and dimensions shown are approximate and may vary with the manufacturer's specifications. In all instances unless the drawing may contradict the specifications, the specifications govern. The drawing and all other dimensions are approximate and shall not be reproduced without the consent of the manufacturer.

NOTE 2: Chassis frame height will change due to axle components, body and air deflators which will affect the overall height dimension shown. Any overall height dimensions should take into consideration and allow approximately 2-3 inches of clearance.



SVU FIRE & RESCUE TRUCKS
 1511 E. 11th STREET, LOWLAND, CO 80537 PHONE: 970-867-5146, FAX: 970-867-3543

**WELLINGTON
 FIRE DEPARTMENT**

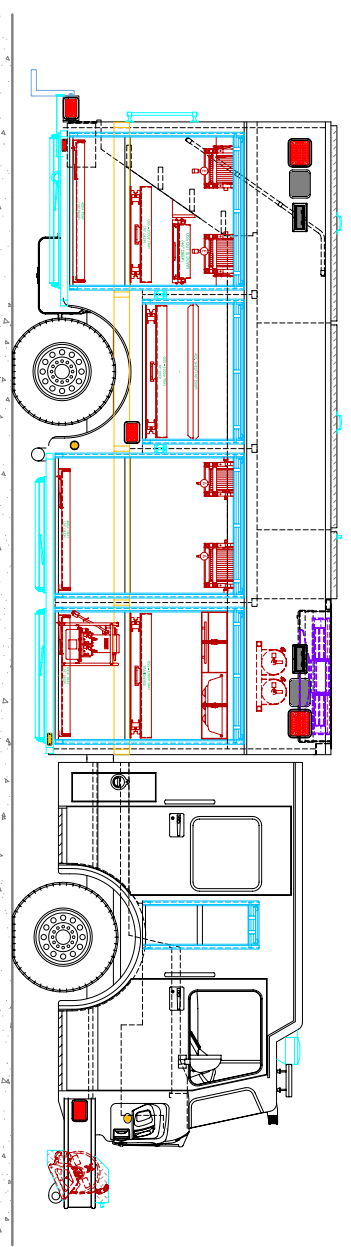
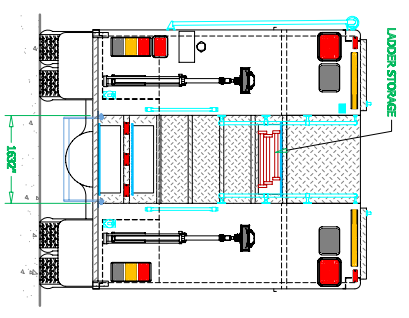
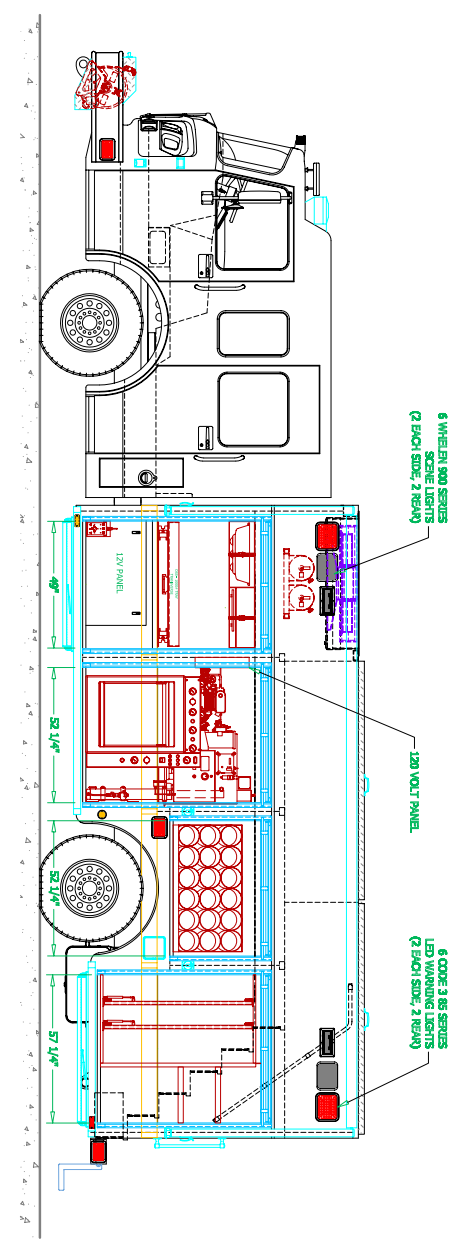
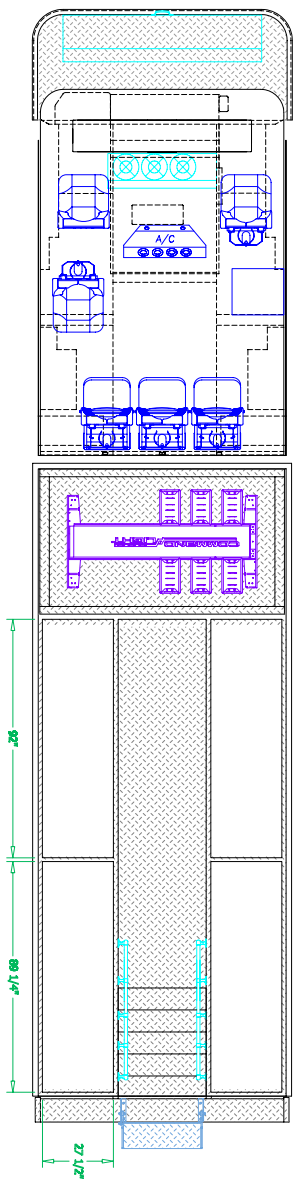
UNIT TYPE: HEAVY RESCUE	TRUCK MODEL: FX300	SEE DIM
BODY SIZE: 20' BODY	WHEEL BASE:	SEE DIM
BODY MATERIAL: 51/2\"/> 		

DRAWN BY: **JMS** DATE: **DECEMBER 17, 2007** SCALE: **3/4\"/>**

BID DRAWING

REV	DESCRIPTION	DATE	BY

NOTE 1: Do not scale drawings. This drawing is for general truck configuration only. All items and dimensions shown are approximate and may vary with final construction. It is intended to show the general layout and location of items. The dimensions shown in this drawing are for general information only. The drawing and all data without the written consent of the manufacturer.



LOVELAND
COLOREDADO

971 FIRE & RESCUE TRUCKS
1511 E. 11th STREET LOVELAND, CO 80527 PHONE: 970-697-5116 FAX: 970-697-3343

WELLINGTON
FIRE DEPARTMENT

DRAWING NO: **WELTRUCK-CO-24-0001** DATE: **DECEMBER 17, 2020** SCALE: **3/8" = 1'-0"** SHEET **2** OF **2**