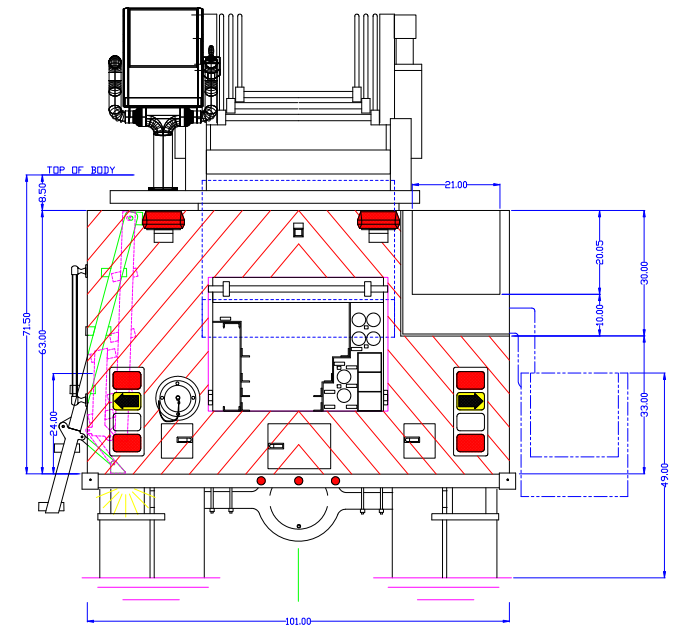
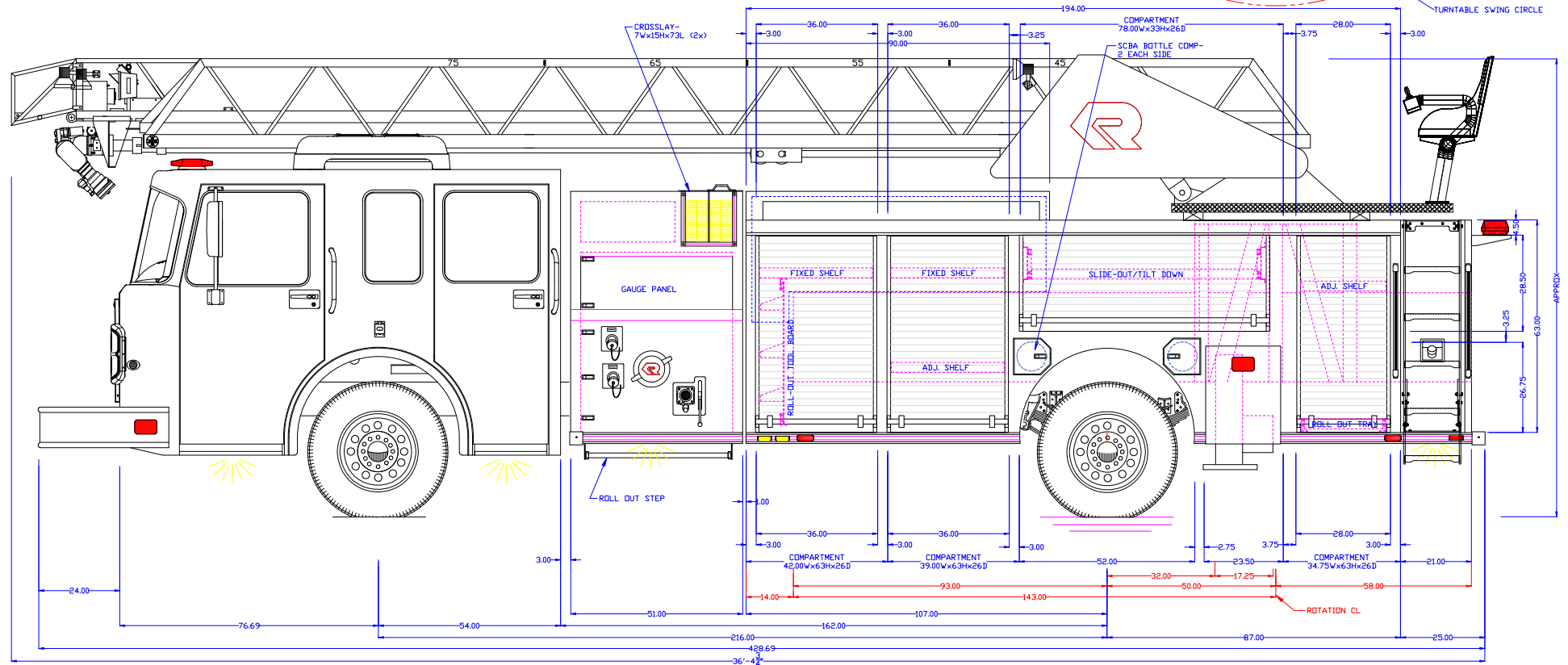
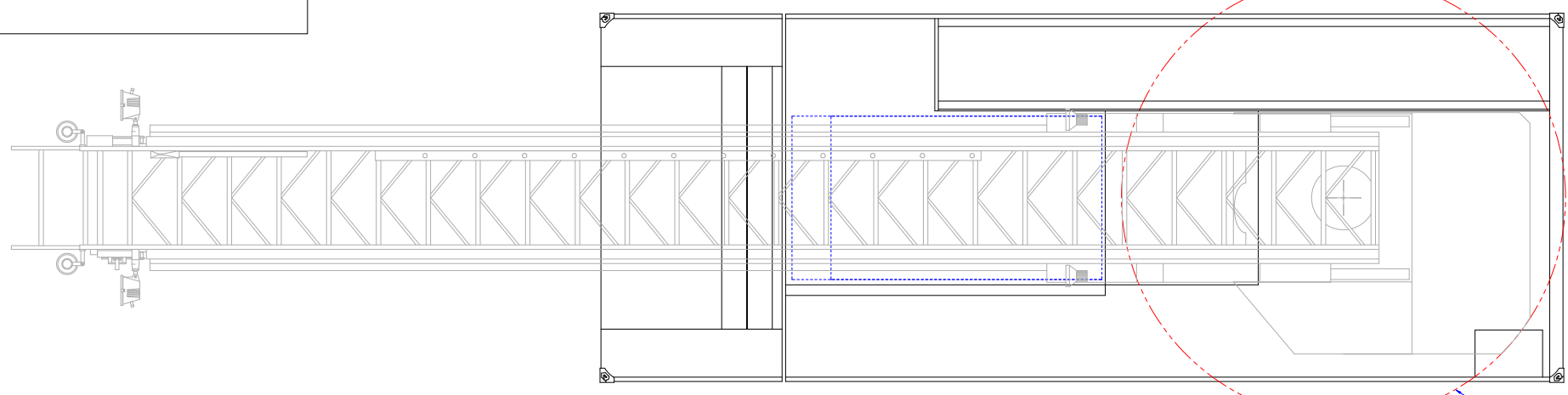


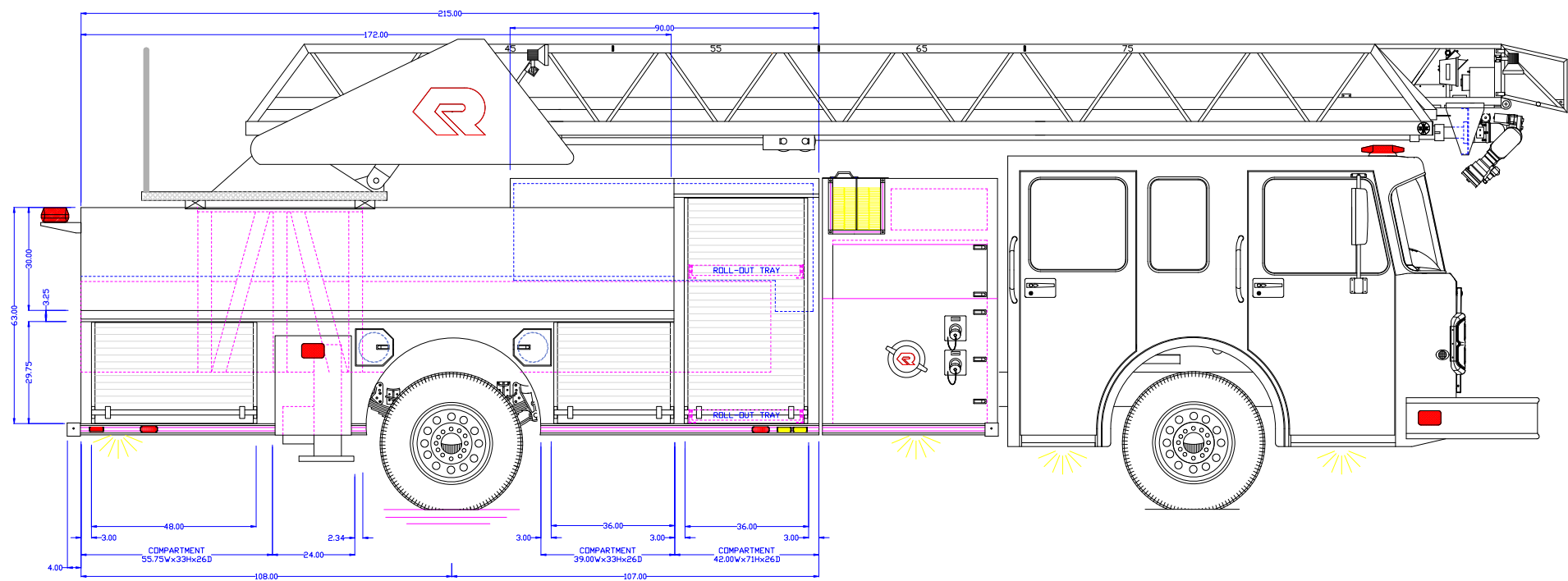
APPROVED BY:



OK FOR PRODUCTION  
 INITIALS: JW  
 JOB NUMBER: 7252  
 DATE: 9/30/09

MAIN FILE: \_\_\_\_\_  
 DEPT: \_\_\_\_\_  
 DEALER: \_\_\_\_\_  
**PRODUCTION APPROVED**

NOTE: LADDER- 75' RK MFG  
 TANK CAP- 400 GAL POLYPROPYLENE  
 PUMP CAP- WATEROUS 1500 GPM  
 DIMENSIONS SHOWN ARE APPROXIMATE AND ARE SUBJECT TO MINOR DEVIATIONS DURING CONSTRUCTION  
 NOT ALL ITEMS IN SPECS ARE SHOWN ON THIS PRINT  
 COMPARTMENT INTERIORS SPATTER PAINT  
 SIDE PUMP PANELS BLACK THERMOPLASTIC  
 NFPA UPPER LIGHT PACKAGE- CODE 3  
 NFPA LOWER LIGHT PACKAGE- CODE 3  
 HOSEBED- 40 CU FT MINIMUM CAP  
 LOAD- UNKNOWN NFPA



NONE	MAXIMUM HEIGHT	DATE: 02-27-09	BY: TEK	DATE: 11-28-09	BY: TEK
NONE	MAXIMUM LENGTH	DATE: 02-27-09	BY: MGA	DATE: 09-19-09	BY: MGA
101"	BODY WIDTH	DATE: 02-27-09	BY: TEK	DATE: 11-18-09	BY: TEK
		DATE: 12-02-08	BY: TEK	DATE: 1-15-09	BY: TEK
		DATE: 03-27-09	BY: TEK	DATE: 1-19-09	BY: TEK



TECH 10 AERIAL #7252  
 75-FT AERIAL