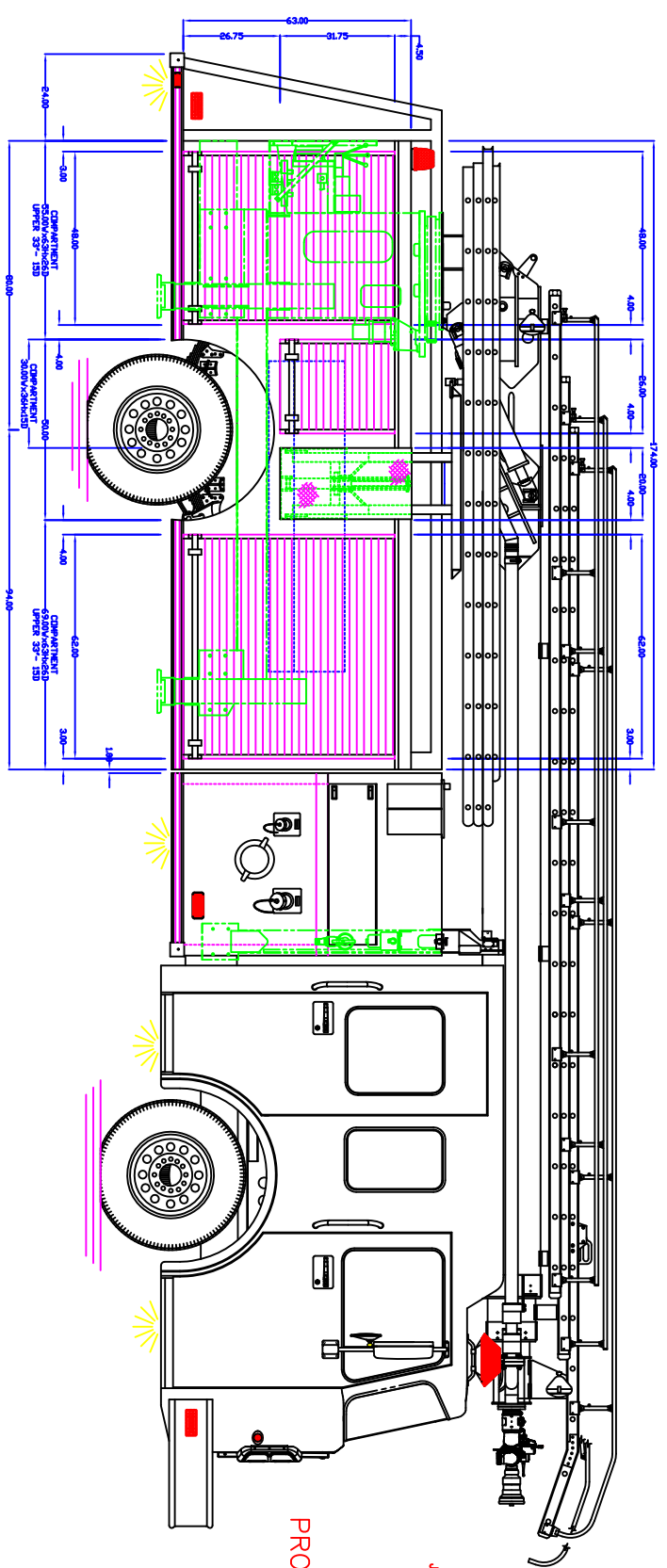
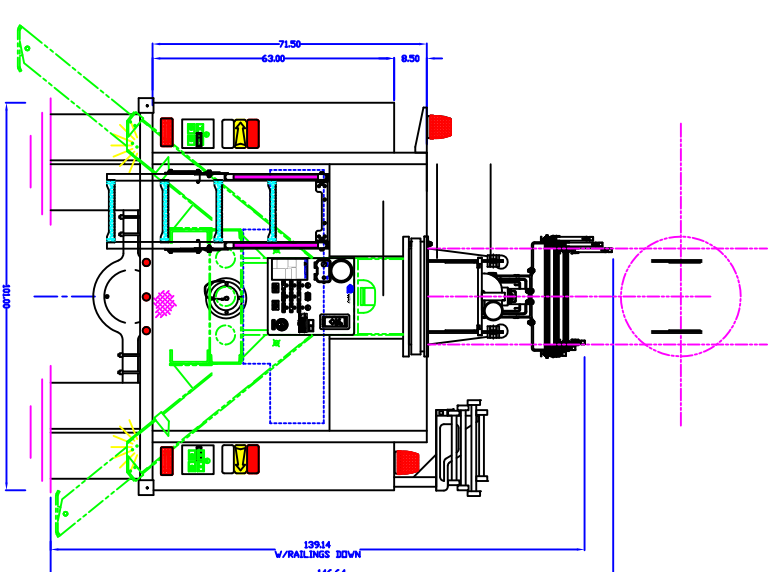
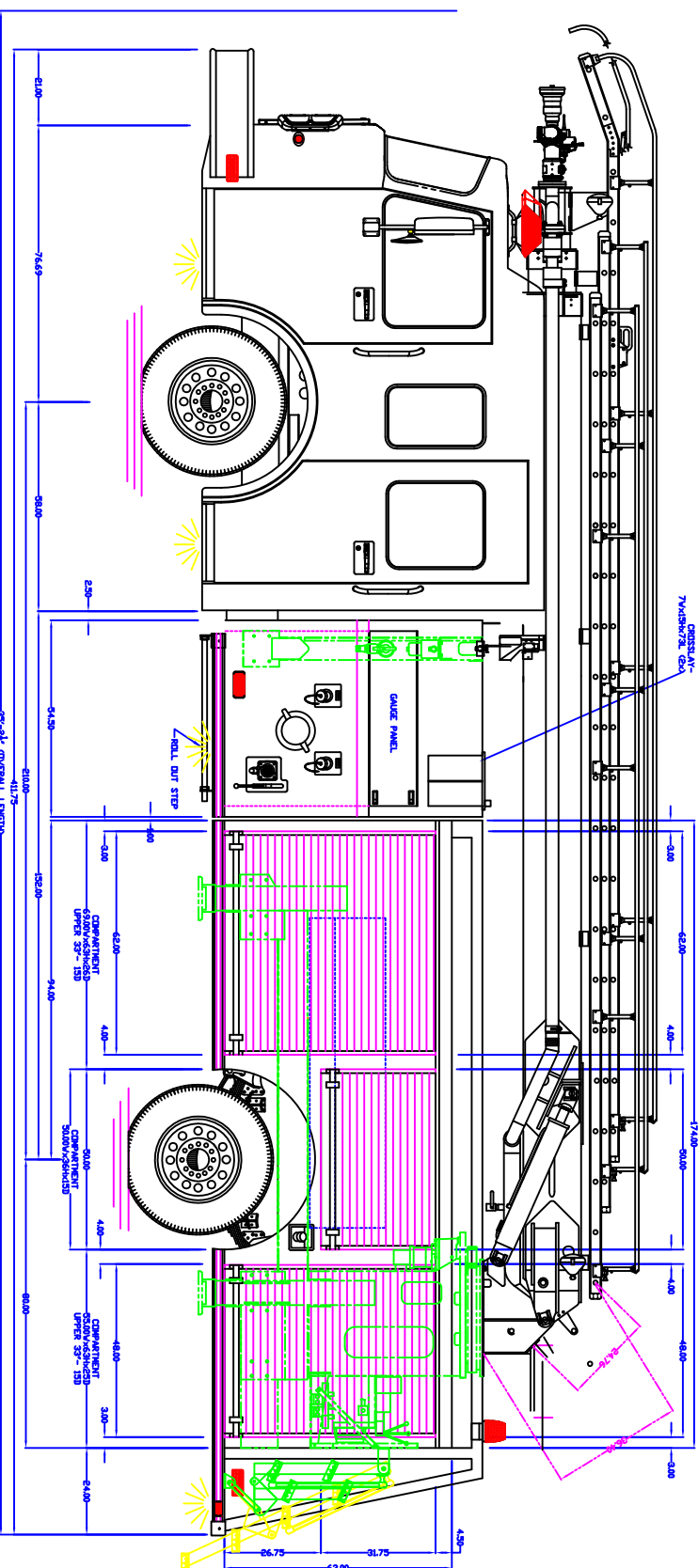


APPROVED BY: \_\_\_\_\_



OK FOR PRODUCTION  
 INITIALS: BD  
 JOB NUMBER: 7284  
 DATE: 7/12/10

MAIN FILE: \_\_\_\_\_  
 DEPT: \_\_\_\_\_  
 DEALER: \_\_\_\_\_  
**PRODUCTION APPROVED**

NOTE: LAMBER- 68" BODY  
 TANK CAP- 300 GAL. POLYPROPYLENE  
 PUMP CAP- 1200 GPM  
 DIMENSIONS SHOWN ARE APPROXIMATE  
 AND ARE SUBJECT TO MODER SEVANTIONS  
 NOT ALL ITEMS IN SPEC ARE SHOWN ON  
 THIS PRINT  
 COMPARTMENT INTERIORS SHATTER PLANT  
 SIZE PUMP PANELS BLACK THERMO PLASTIC  
 ROLL UP REEF EXTENSIVE DISPENSING  
 OF HANDBOOK AND 2" SHATTER THAN  
 ACTUAL PRINTING IN REEF  
 8" PA. UNDER LIGHT PACKAGE, CABLE 2  
 HESSLER- CU FT. REMOVAL CAP  
 LAMER-

MODEL	MAXIMUM HEIGHT	MAXIMUM LENGTH	MAXIMUM WIDTH
7284	108.50	171.00	63.00
7284	108.50	171.00	63.00
7284	108.50	171.00	63.00

**7284 ROAD RUNNER DEMO**

7284 roadrunner demo